

AIR VALVES

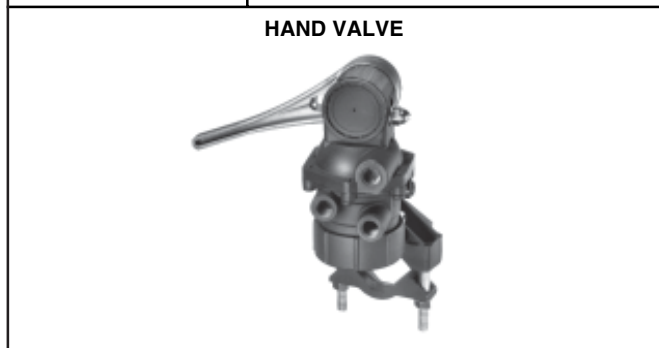
Product Code 709



EUCLID NO.	REPLACES
E-4331	Neway 900 54 075



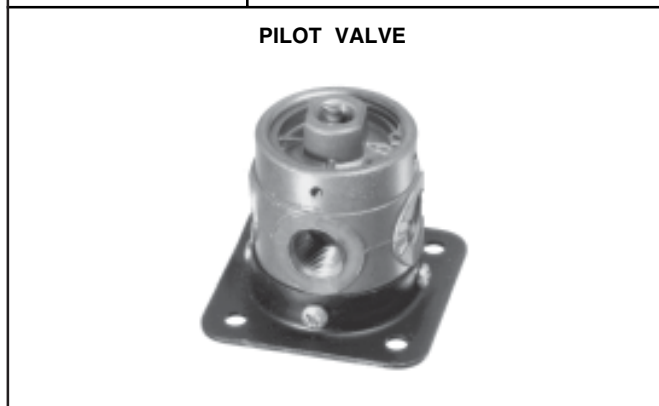
EUCLID NO.	REPLACES
E-4325	Neway 900 54 074



EUCLID NO.	REPLACES
E-4329	Neway 900 54 082



EUCLID NO.	REPLACES
E-4330A	Neway 900 54 096



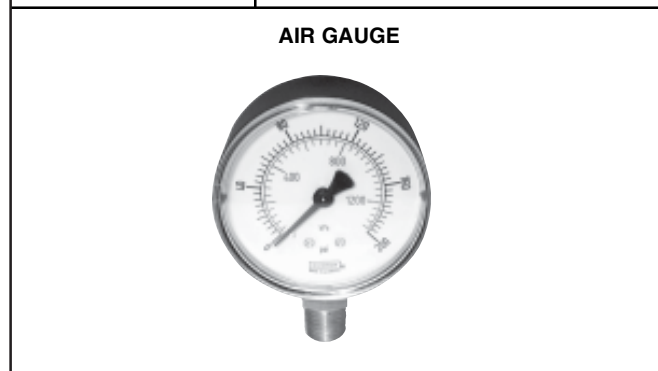
EUCLID NO.	REPLACES
E-4328	Neway 900 54 079



EUCLID NO.	REPLACES
E-4326	Neway 900 54 088



EUCLID NO.	REPLACES
E-4327	Neway 900 54 077



EUCLID NO.	REPLACES
E-4332	Neway 900 54 280

1

AIR VALVES

PRESSURE PROTECTION VALVE



Product Code 709

Includes Internal Filter

EUCLID NO.	REPLACES	FILTER
E-4324	Neway 900 54 001 905 54 107	900 54 466 SRK-143

PRESSURE PROTECTION VALVE



Product Code 701

EUCLID NO.	REPLACES
E-3762	Hendrickson 30272

HEIGHT CONTROL VALVES

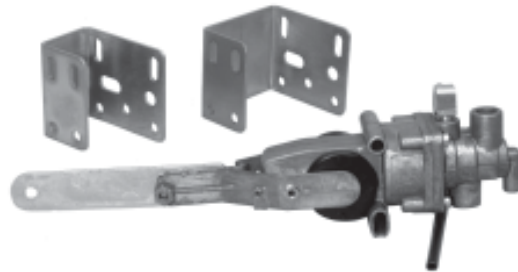
HADLEY DELAY TYPE



Product Code 702

EUCLID NO.	REPLACES	GENERAL INFORMATION
E-9623	Hadley H00450CE	Use E-9625 Linkage Assembly

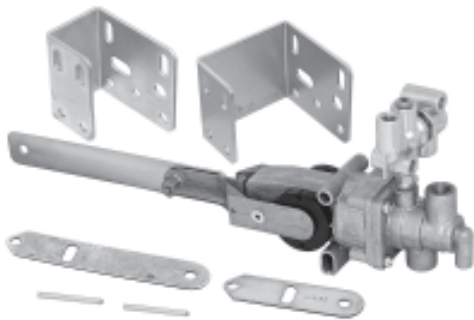
HADLEY DELAY TYPE WITH INTEGRAL DUMP VALVE



Product Code 702

EUCLID NO.	REPLACES	GENERAL INFORMATION
E-9624	Hadley H00500C	Eliminates need for separate dump valve. Tight dead band and fast fill and exhaust rates. Use E-9625 Linkage Assembly

HADLEY DELAY With Automatic Integral Dump Valve



Product Code 701

EUCLID NO.	REPLACES	GENERAL INFORMATION
E-11293	Hadley H00500CA	Eliminates need for separate dump valve. Tight dead band and fast fill and exhaust rates. Use E-9625 Linkage Assembly





HADLEY WITH INTEGRAL DUMP VALVE To replace Barksdale valves







Product Code 701

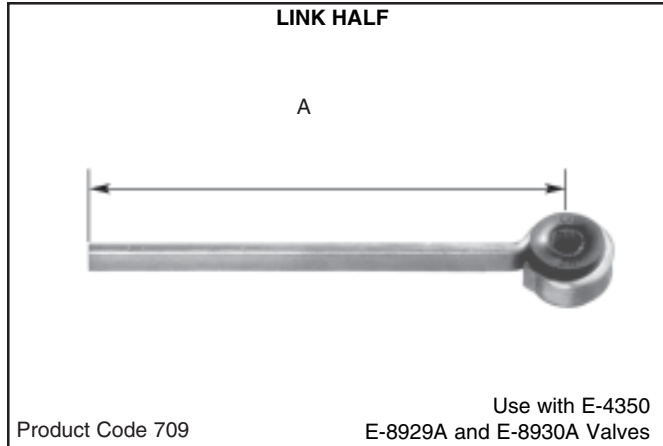
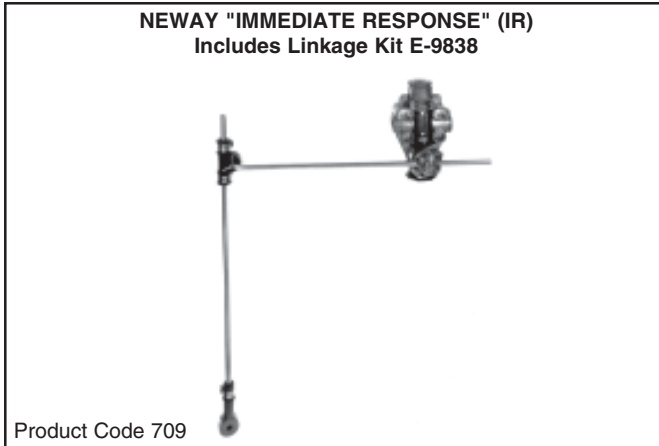
EUCLID NO.	REPLACES	GENERAL INFORMATION
E-11465	Hadley H00500CB	Contains correct mounting bracket, lever, and fittings to replace Barksdale Valves on most Peterbilts.

HEIGHT CONTROL VALVES

HADLEY UNIVERSAL VALVE FOR AIR CAB SUSPENSION SYSTEM		
		
Product Code 701		
EUCLID NO.	REPLACES	GENERAL INFORMATION
E-11464	Hadley H00600P	Low cost, compact size. Complete with Valve Link Kit.
HENDRICKSON TRUCK (Barksdale) With Automatic Integral Dump Valve		
		
Product Code 701		
EUCLID NO.	REPLACES	GENERAL INFORMATION
E-11870	57977-000	Eliminates need for separate dump valve. Arm is unique to Hendrickson Truck Suspensions
LEVELING VALVE LINK ASSEMBLY		
		
Product Code 702		
EUCLID NO.	REPLACES	GENERAL INFORMATION
E-9625	Hadley HPB450-3	Use with E-9623 and E-9624 Valves. Length range is 3 5/8" to 19 5/8" MOS2 filled nylon bushing in ends and nickel plated shoulder bolts provide longer life.
LEVELING VALVE LINK ASSEMBLY		
		
Product Code 709		
EUCLID NO.	REPLACES	GENERAL INFORMATION
E-7852	Neway SRK-168 Peterbilt 03-06224	Use for applications requiring vertical mounting only.

BARKSDALE VALVE			
			
Product Code 701			
EUCLID NO.	REPLACES	GENERAL INFORMATION	
E-11855	VS-227	Standard OE on all INTRAAX and VANTRAAX trailer air suspensions. Improved response and exhaust during loading and unloading.	
BARKSDALE VALVE			
			
Product Code 701			
EUCLID NO.	REPLACES	FOR MODEL	GENERAL INFORMATION
E-11494	Hendrickson 60826-000	HA	Use E-3760A Leveling Valve Link Assembly
LEVELING VALVE LINK ASSEMBLY			
			
Product Code 701			
Use with E-11494 Valves			
EUCLID NO.	REPLACES	GENERAL INFORMATION	
E-3760A	Hendrickson 58994-021	Adjustable Length	
NEWAY DELAY			
			
Product Code 709			
EUCLID NO.	REPLACES	GENERAL INFORMATION	
E-4323	Neway 900 54 007	Use E-7852 Leveling Valve Link Assembly	

HEIGHT CONTROL VALVES



EUCLID NO.	REPLACES	APPLICATION & GENERAL INFORMATION
E-4350	Neway 905 54 241 SRK-205 Midland KN270000	Can be mounted vertically or horizontally. Diecast zinc plated metal body. Fits Late Model Freightliner, Navistar and other air suspensions. Linkage kit included with valve.

EUCLID NO.	REPLACES	A	I.D.
E-4333	Neway 900 54 188	8"	1/4"
E-4334	Neway 900 54 460	14"	1/4"

HEIGHT CONTROL VALVE LINK	EUCLID NO.	REPLACES	FOR MODEL
<p>Product Code 702</p>	E-4798	Reyco 12910-03	Reyco 102AR

RIDEWELL - VERTICAL MOUNT DELAY (Includes Linkage Bracket)	EUCLID NO.	REPLACES	GENERAL INFORMATION
<p>Product Code 720</p>	E-8929A	Ridewell 124723B205	Use for applications requiring vertical mounting only.

RIDEWELL - HORIZONTAL MOUNT DELAY (Includes Linkage Bracket)	EUCLID NO.	REPLACES	GENERAL INFORMATION
<p>Product Code 720</p>	E-8930A	Ridewell 124723B204 Reyco 20108-03	Use for applications requiring horizontal mounting only.